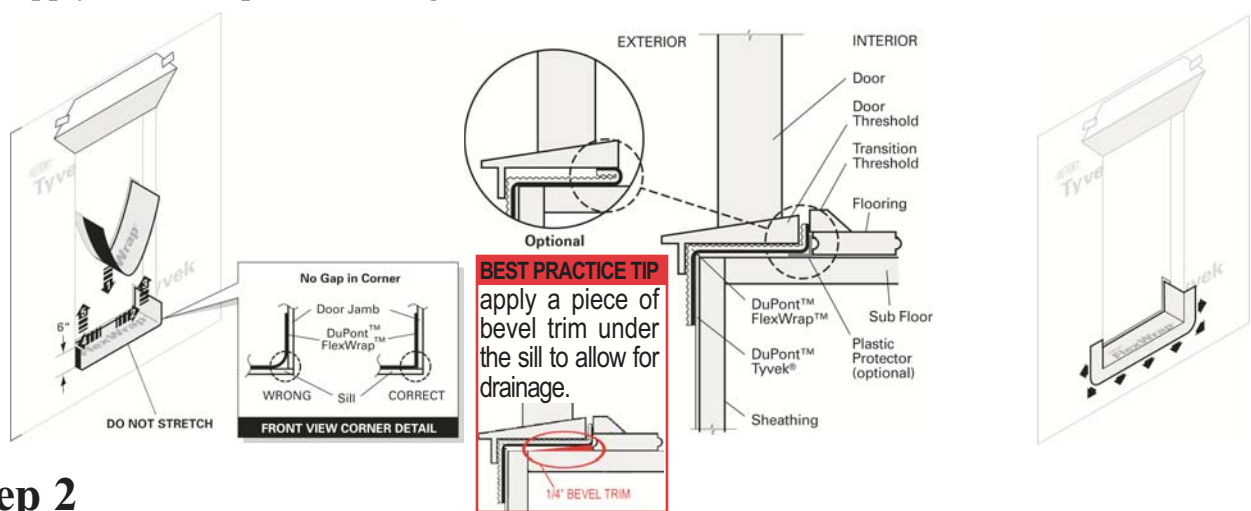


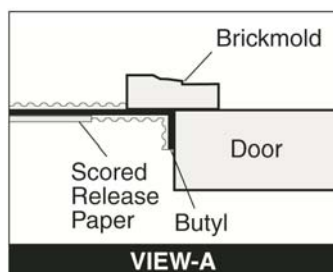
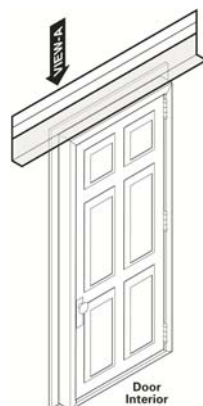
Step 1

- A. Install the sill flashing as shown below so that the flashing with 1" scored release strip extends past the rear (interior) line of the door threshold.
- B. Flex flashing out over **CORNERS FIRST**, onto wall face, ensuring complete adhesion.
- C. Eliminate **WRINKLES AND BUBBLES** by smoothing surface and repositioning as necessary.
- D. Use fasteners to temporarily secure the outer edge of the flashing at lower corners. Flashing bond will strengthen over time.
- E. Apply sufficient pressure along entire surface to ensure a continuous seal.



Step 2

- A. Prepare head flashing by cutting a piece of Dupont StraightFlash™VF at least twelve (12) inches **LONGER** than the head length.
- B. Break the scored release paper on one edge of the head flashing by folding it back and forth upon itself.
- C. Center flashing along the length of the door head and position so that it contacts the door frame and interior side of the brickmould. Remove the inner release paper strip and adhere the flashing to the back of the brickmould. Leaving the outer release strip in place will allow you to form a tight seal in the corner.
- D. Remove the outer release paper and adhere the flashing to the door frame.

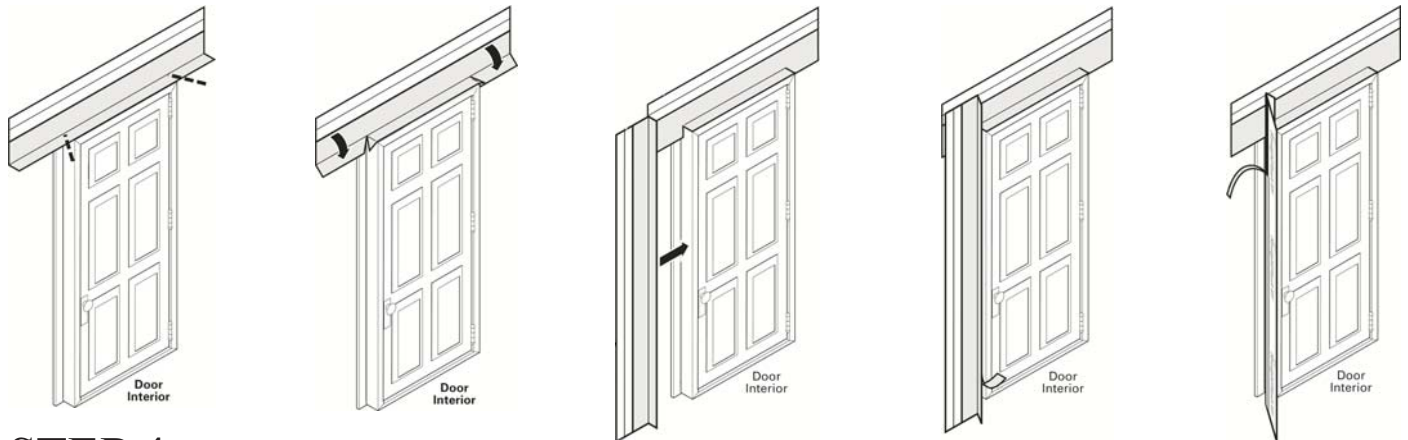


Installation Tip:

If desired, attach first adhesive strip to back of brick mold. Then attach second adhesive strip to the jambs/head.

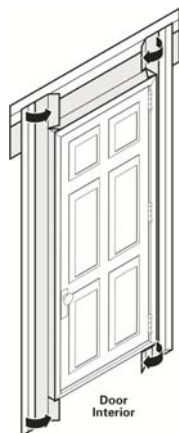
Step 3

- A. Prepare jamb flashing by cutting a piece of DuPont StraightFlash™VF at least six (6) inches **LONGER** than the head length.
- B. Break the scored release paper on one edge of the jamb flashing by folding it back and forth upon itself.
- C. Center flashing along the length of the door jamb and position so that it contacts the door frame and interior side of the brickmould. Remove inner release paper strip and adhere the Flashing to the back of the brickmould. Leaving the outer release strip in place will allow you to form a tight seal in the corner.
- D. Remove the outer release paper and adhere the flashing to the door frame.



STEP 4

- A. At the corner of the door frame, cut the DuPont StraightFlash™VF along the corner and fold it down flat to adhere against the head flashing.
- B. Repeat for opposite side of jamb flashing.
- C. Place door in rough opening and install following manufacturers installation guidelines.
- D. Remove release paper from both jambs and adhere to sub-strate.



Still have questions?

Contact your local DuPont Tyvek Specialist

1-800-44-TYVEK

www.tyvek.com