

DuPont™ Tyvek® HomeWrap® Installation

Start at the bottom of the structure to ensure proper shingling occurs throughout the installation. Proper shingling is required to provide for water shedding and to prevent water from entering the wall system.

STEP 1 Unwrap roll at corner, leaving 6” to 12” vertical overlap.

STEP 2 Roll should be plumb. Bottom edge of roll should extend over sill plate interface at least 2”. For maximum air leakage reduction (when installing as an air barrier), seal wrap at the bottom of the wall with sealant (i.e., DuPont™ Weatherization Sealant), DuPont™ Tyvek® Tape, or DuPont™ StraightFlash™. Extend to bottom of sill plate for slab on grade foundations. For stucco exteriors integrate with weep screed.

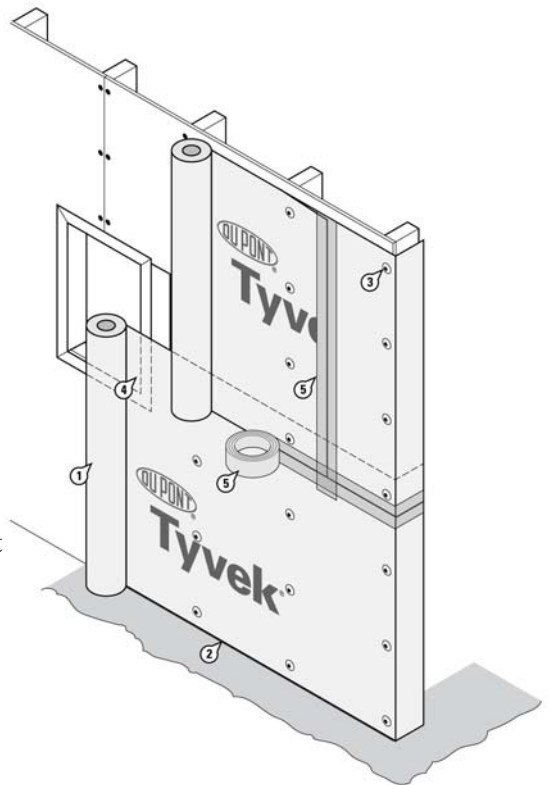
STEP 3 Secure DuPont™ Tyvek® water-resistive barrier to the stud. Fasteners should be spaced no closer than 6” and no further than 18” on vertical and horizontal stud lines. Note: Do not fasten within 9” of rough opening head.

STEP 4 Unroll directly over windows and doors. Upper layer of water-resistive barrier should overlap bottom layer of WRB by a minimum of 6”. Refer to the DuPont™ Flashing Systems Installation Guidelines to prepare and flash windows and door opening.

Note: If windows are already installed, the DuPont™ Tyvek® water-resistive barrier shall be integrated with proper shingling with window flashings. If DuPont™ Tyvek® FlexWrap™ and apron are used, install the water resistive barrier under the apron to ensure proper shingling. If non-self adhering sill flashing is used, install the water resistive barrier under the bottom of the sill flashing to maintain proper shingling.

STEP 5 All vertical seams shall be taped with DuPont™ Tyvek® Tape. Note: Inside corners should be tight to the corner.

STEP 6 After water-resistive barrier is installed refer to the DuPont™ Flashing Systems Installation Guidelines to prepare and flash windows and doors.



To find your local Tyvek® Specialist, visit
www.construction.tyvek.com or call 877-4-OrePac